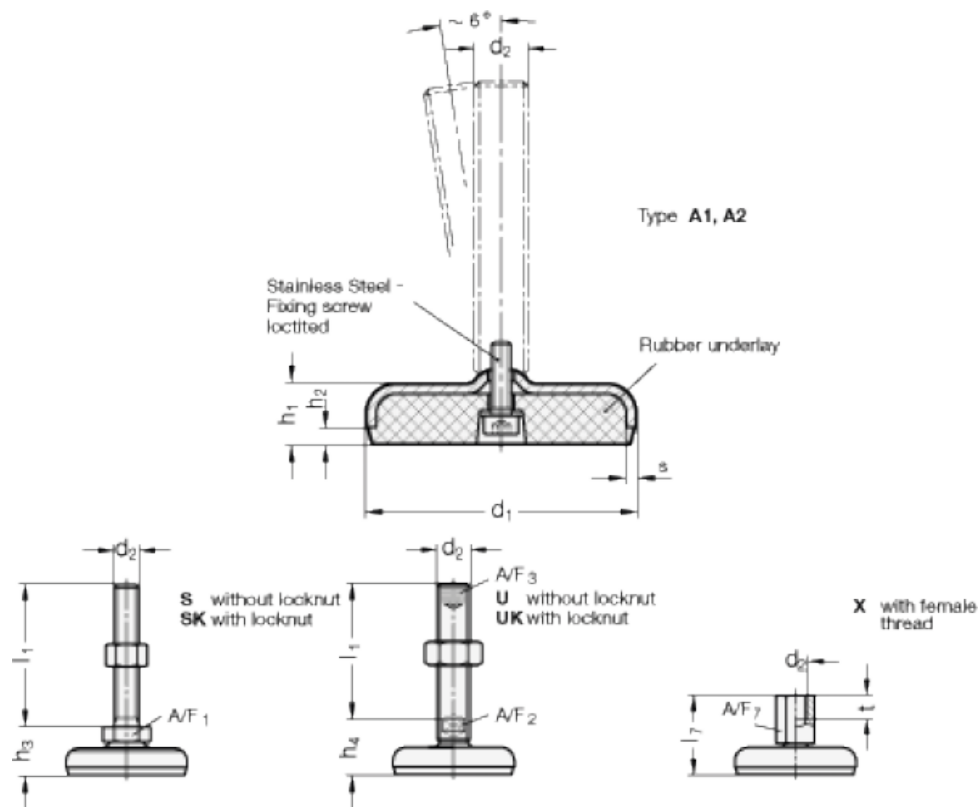


Article number: 2030100M2062A1X  
 Description: E+G levelling foot  
 GN 30-100-M20-62-A1-X  
 Note: X With female thread, Wxternal hexagon

## Measures



A/F7 = 27  
 d1 = 100  
 d2 = M20  
 h1 = 22  
 h2 = 6  
 l7 = 62  
 s = 3  
 t = 20